

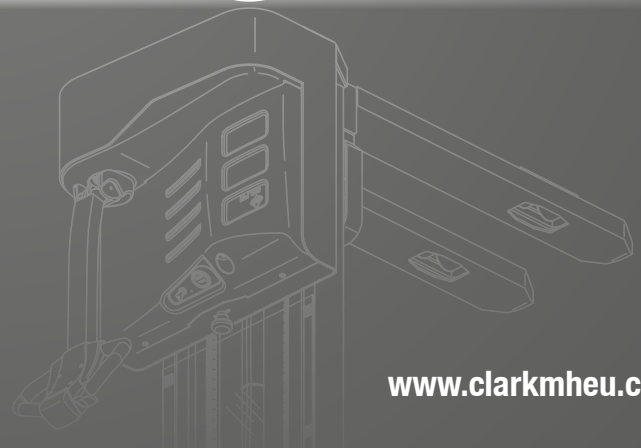
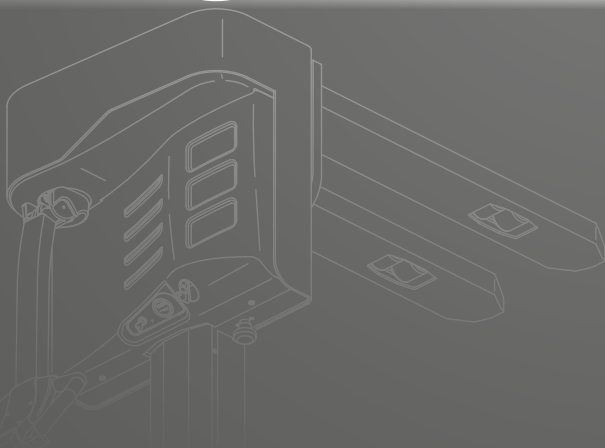
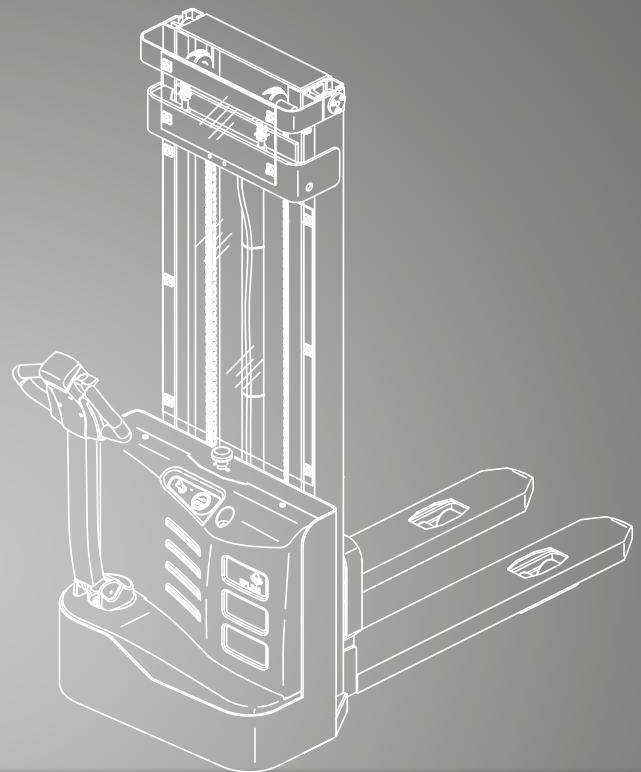
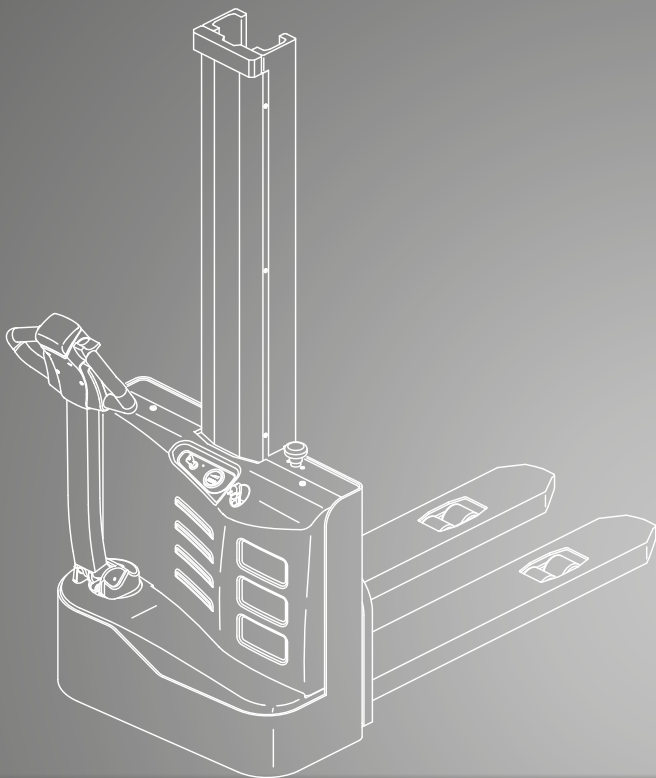


THE FORKLIFT

WS10M WS10Mi WS10

Electric Stacker Trucks

1.000 kg



DIMENSIONS

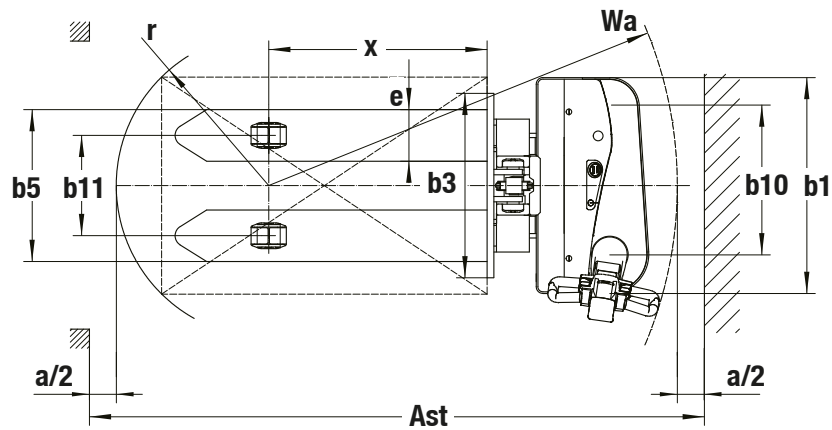
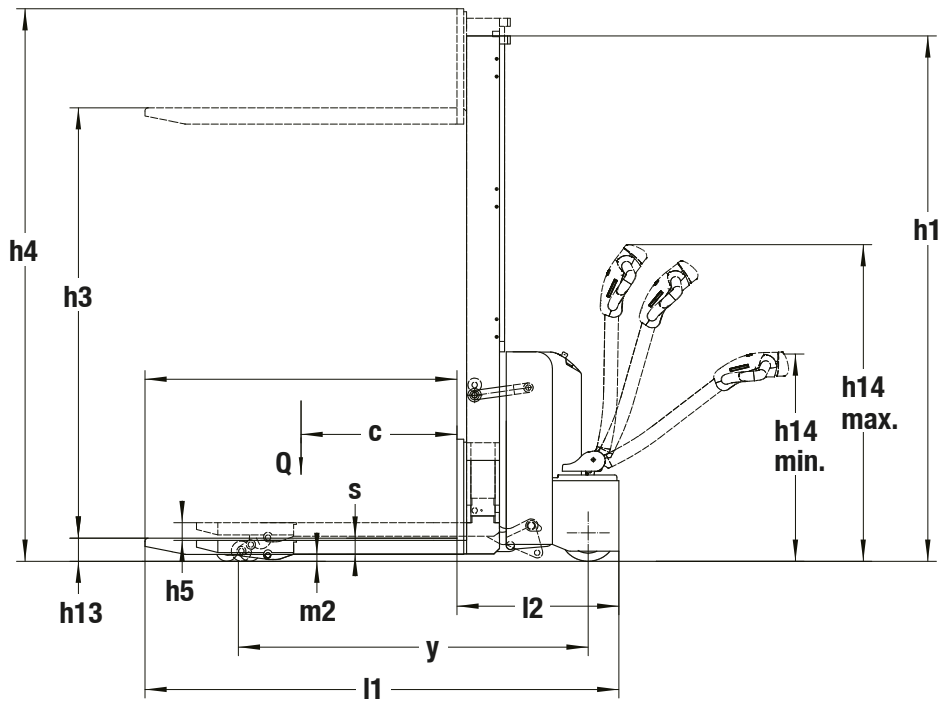
WS10M
WS10Mi
WS10

$$R = \sqrt{(l_6 - x)^2 + \left(\frac{b_{12}}{2}\right)^2}$$

$$R_n = \sqrt{x^2 + \left(\frac{b_{12}}{2}\right)^2}$$

$$A_{st} = W_a + R + a \text{ if } R_n < W_a$$

$$A_{st} = R_n + R + a \text{ if } R_n > W_a$$



SPECIFICATIONS

Product Specifications acc. to VDI 2198

1.1 Manufacturer (Abbreviation)		CLARK	CLARK	CLARK	
Specifications	1.2 Manufacturer's designation	WS10M	WS10Mi	WS10	
	1.3 Drive	24V Electric	24V Electric	24V Electric	
	1.4 Operator type	Pedestrian	Pedestrian	Pedestrian	
	1.5 Rated capacity/rated load	Q (kg)	1000	1000 (1200) *3	1000
	1.6 Load centre distance	c (mm)	600	600	600
	1.8 Load distance	x (mm)	805	805	795
	1.9 Wheelbase	y (mm)	1126	1260	1240
Weight	2.1 Service weight incl. battery (see 6.5)	kg	462	520	533
	2.2 Axle loading, laden front/rear	kg	641/821	560/1160	634/851
	2.3 Axle loading, unladen front/rear	kg	343/119	350/170	413/120
Tyres, Chassis	3.1 Tyres		Polyurethane	Polyurethane	Polyurethane
	3.2 Tyre size, front		Ø 210x70	Ø 210x70	Ø 210x70
	3.3 Tyre size, rear		Ø 80x60	Ø 80x60	Ø 80x60
	3.4 Additional wheels (dimensions)		Ø 130x55	Ø 130x55	Ø 130x55
	3.5 Wheels, number front/rear (x = driven wheels)		1x + 1/4	1x + 1/4	1x + 1/4
	3.6 Tread, front	b10 (mm)	533	533	533
	3.7 Tread, rear	b11 (mm)	380	370	400
Dimensions	4.2 Height, mast lowered	h1 (mm)	1940	1940	2056
	4.3 Free lift	h2 (mm)	1387	1606	-
	4.4 Lift *1	h3 (mm)	1517	1513	2930
	4.4 Lift height	h3 + h13 (mm)	1605	1605	3015
	4.5 Height, mast extended	h4 (mm)	2053	2011	3521
	4.6 Initial lift	h5 (mm)	-	115	-
	4.9 Height tiller in driving position min./max.	h14 (mm)	860/1200	860/1200	860/1200
	4.15 Height, lowered	h13 (mm)	88	88	85
	4.19 Overall length	l1 (mm)	1615	1750	1740
	4.20 Length to face of forks	l2 (mm)	465	600	590
	4.21 Overall width	b1 (mm)	800	800	800
	4.22 Fork dimensions	s • e • l (mm)	60x170x1150	60x190x1150	55x160x1150
	4.25 Distance between fork-arms	b5 (mm)	550	560	560
4.32 Ground clearance, centre of wheelbase	m2 (mm)	30	26	30	
4.34 Aisle width for pallets 1000 x 1200 sideways	Ast (mm)	2126	2340	2242	
4.34 Aisle width for pallets 800 x 1200 lengthways	Ast (mm)	2057	2260	2177	
4.35 Turning radius	Wa (mm)	1295	1500	1408	
Performance	5.1 Travel speed, laden/unladen	km/h	4.0/4.5	4.0/4.5	4.5 /4.8
	5.2 Lift speed, laden/unladen	m/s	0.12/0.22	0.10/0.14	0.12/0.22
	5.3 Lowering speed, laden/unladen	m/s	0.12/0.11	0.10/0.07	0.12/0.11
	5.8 Max. gradeability, laden/unladen *2	%	3/10	3/10	3/10
	5.10 Service brake		Electric	Electric	Electric
Electrics	6.1 Drive motor rating S2 60 min	kW	0.65	0.65	0.65
	6.2 Lift motor rating at S3 15 %	kW	2.2	2.2	2.2
	6.3 Battery acc. to DIN 43531/35/36 A, B, C, no		No	No	No
	6.4 Battery voltage/nominal capacity	Ah/5hr	24V/72Ah	24V/72Ah	24V/72Ah
	6.5 Battery weight	kg	2 x 25	2 x 25	2 x 30
	6.6 Energy consumption acc. to VDI cycle	kWh/h	-	-	-
	- Battery type		Block batteries	Block batteries	Block batteries
	8.1 Type of drive unit		DC	DC	DC
Misc.	10.5 Steering design		Mechanical	Mechanical	Mechanical
	10.7 Sound pressure level at the driver's seat acc. to EN 12053	dB(A)	74	74	74

*1) Further lift heights see upright table

*2) At friction coefficient $\mu=0.6$ with 1.6 km/h

*3) Load capacity on initial lift

In accordance with VDI Guideline 2198 this specification sheet provides details on the standard truck only. Non-standard tyres, different masts, optional equipment, etc. may result in different values.

PRODUCT DESCRIPTION

WS10, WS10M and WS10Mi

Application

The WS10M and WS10Mi are the entry-level models in the high lift truck range. Ideal for transport over short distances or can also be used as a mobile work table. The mono-lift trucks have a maximum load capacity of 1000 kg. This makes the high-lift trucks ideal helpers in a wide range of applications. The WS10 with standard mast has a very high maximum lifting height of up to 3300 mm and can therefore also reach higher storage locations. All models in this series are suitable for light and occasional use. The WS10Mi is equipped with initial lift. This makes it excellent for use on uneven floors.

Low truck weight and compact

The compact design of this series enables it to be used in space-critical work areas as well as in very narrow aisles. Only a small amount of force is required to steer the manoeuvrable lift truck. This reduces the operator's workload. Due to the low service weight and the resulting lower floor load, use on intermediate levels is also possible.

Safety

The tiller is suitable for left and right-handed operators and enables precise operation of all drive and lift functions. Due to the large field of vision provided by the mast profiles, the operator always has the forks and the load in view. The mono masts also provide a good view of the fork tips. This ensures precise positioning of the unit and fast and safe pick-up of loads.

In addition, the WS10 models have deep truck frames to protect the feet of anyone near the truck. The WS10 with standard mast also has a maximum travel speed that depends on the lift height.

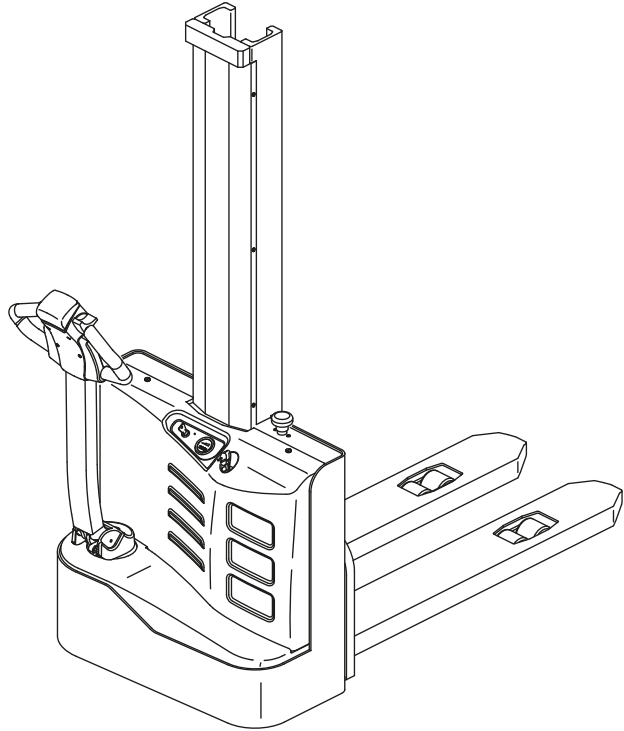
Battery and charging technology

With maintenance-free block batteries and a built-in charger, the battery can be recharged at any 230-volt socket. This guarantees flexible and decentralised battery recharging. The truck display informs the operator about the battery charge status as well as the operating hours.

GENERAL DATA

Upright table WS10M

Mast type	Lift height (h3+h13)	Mast height lowered (h1)	Mast height extended (h4)	Free lift (h2)
	mm	mm	mm	mm
Mono	1605	1940	2053	1387
	1955	2290	2403	1737

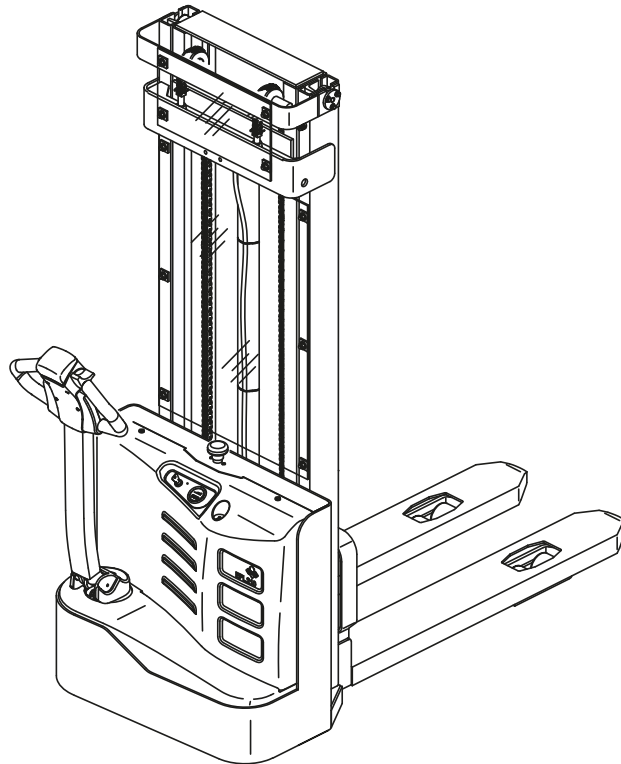


Upright table WS10Mi

Mast type	Lift height (h3+h13)	Mast height lowered (h1)	Mast height extended (h4)	Free lift (h2)
	mm	mm	mm	mm
Mono	1605	1940	2011	1606
	1955	2290	2361	1936

Upright table WS10

Mast type	Lift height (h3+h13)	Mast height lowered (h1)	Mast height extended (h4)	Free lift (h2)
	mm	mm	mm	mm
Standard	2515	1806	3021	-
	2715	1906	3221	
	3015	2056	3521	
	3315	2206	3821	




FEATURES & EQUIPMENT EXTRAS



	WS10	WS10M	WS10Mi
Traction wheel (Polyurethane)	•	•	•
Profiled traction wheel	X	X	X
Tandem load wheel (Polyurethane)	•	•	•
Maintenance-free block batteries (Gel)	•	•	•
Maintenance-free block batteries (AGM)	X	X	-
Integrated on-board charger	•	•	•
Initial lift	-	-	•

• = Standard Equipment; x = Option; - = Not available

TotalTruck@TotalTruck.dk / www.lagereksperten.dk

<p>CLARK Europe GmbH Dr.-Alfred-Herrhausen-Allee 33 47228 Duisburg / Germany Tel.: +49 (0)2065 499 13-0 Fax: +49 (0)2065 499 13-290 E-Mail: Info-europe@clarkmheu.com www.clarkmheu.com</p>	<p>Dealer:</p>  <p>TotalTruck A/S CVR-nr. DK 26 12 66 22 Lucernetofte 5 · 5550 Langeskov Tlf. +45 70 27 99 88</p>
---	--