

COMBi-CS

Counter-balanced Stacker

Equipped with our patented multi-position tiller arm the Combi-CS offers safer operation, maximum operator visibility and narrow aisle performance.

COMBiLiFT

LIFTING INNOVATION



Video



Patented Multi-Position
Tiller Arm



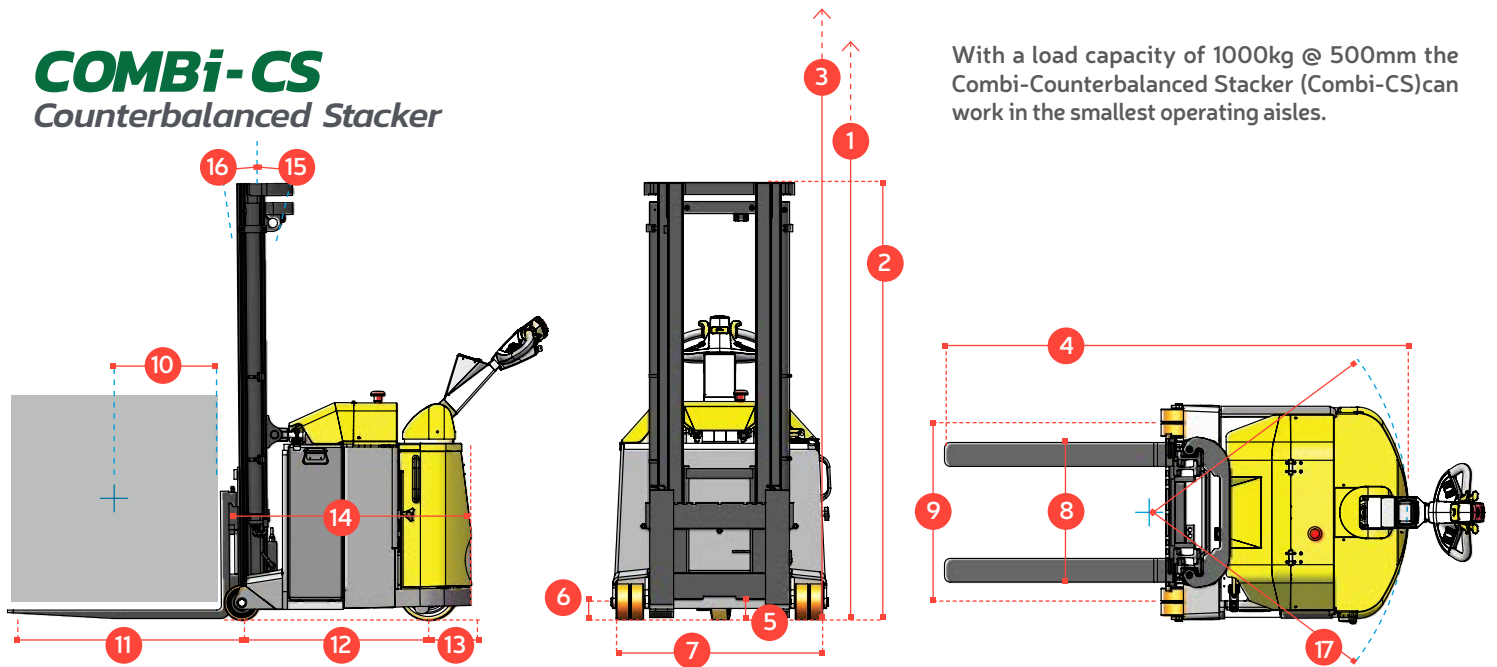
TotalTruck A/S

totaltruck@totaltruck.dk



COMBI-CS

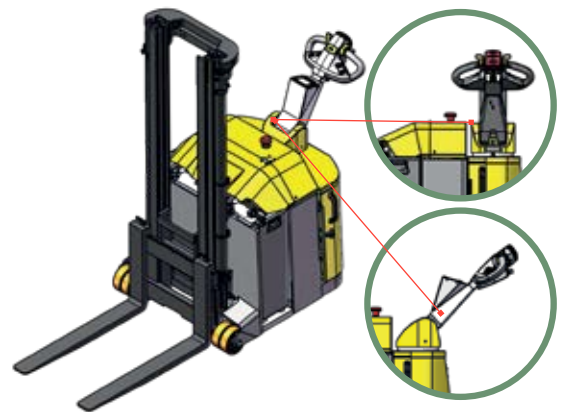
Counterbalanced Stacker



REF.	DESCRIPTION	Standard		
1	Max. Lift Height	2500 mm		
2	Height Mast Closed	1875 mm		
3	Max. (Mast raised)	3150 mm		
4	Overall Length	2000 mm	2150 mm	2300 mm
5	Ground Clearance Under Mast	80 mm		
6	Ground Clearance to Centre of Wheelbase	50 mm		
7	Width	890 mm		
8	Outside Spread of Fork Arms	620 mm		
9	Track Front	745 mm		
10	Load Centre Distance	500 mm		
11	Overhang Front	1035 mm		
12	Wheelbase	790 mm	940 mm	1090 mm
13	Overhang Back	175 mm		
14	Length From Face of Fork	1050 mm	1200 mm	1350 mm
15	Fork Backward Tilt	5°		
16	Fork Forward Tilt	2°		
17	Minimum Outside Radius	965 mm	1115 mm	1265 mm
A	Capacity	1000 kg	1250 kg	1500 kg
B	Unladen Weight	2300 kg	2350 kg	2400 kg
C	Maximum Ground Speed	6 km/h		
D	Gradeability	5%		
E	Battery Capacity	24 V / 375 Ah		
F	Fork Section	35 mm x 100 mm x 950 mm		
G	Front Tyre (Polyurethane)	OD 150 mm / Width 55 mm		
H	Rear Tyre (Vulkollan)	OD 250 mm / Width 75 mm		
I	Standard Colour	Yellow & Grey		
J	AC Electric Traction Motor	24 V / 2.5 kW		
K	AC Electric Pump Motor	24 V / 5 kW		

Superior safety with Combilift's patented Multi-Position Tiller Arm

The tiller can be turned to the left or right to allow the operator to remain at the side. This enables full visibility of the load and forks, while maintaining full steering control, providing greater awareness of the surroundings for enhanced overall safety.



Features Include:

- Power Steering
- AC Motor Technology
- Rear Wheel Drive
- Patented Multi-Position Tiller Arm

Distributed by:



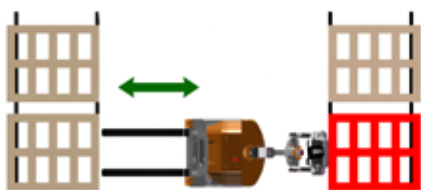
TotalTruck A/S

CVR-nr. DK 26 12 66 22

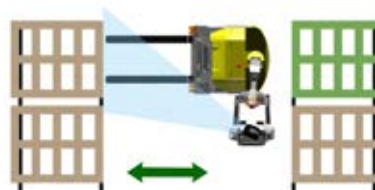
Lucernetoften 5 · 5550

Langskov Tlf. +45 70 27 99 88

Without Combi-CS



Using Combi-CS



Standing to the side of the stacker eliminates the risk of being trapped or crushed while allowing the Combi-CS to operate in very narrow aisles.

International Application No. PCT/EP2012/067238

TotalTruck A/S

totaltruck@totaltruck.dk

