

# COMBi-PPT

Powered Pallet Truck

# COMBiLiFT

LIFTING INNOVATION

Equipped with our patented multi-position tiller arm the Combi-PPT offers safer operation, maximum operator visibility and narrow aisle performance.



Ride-on Platform  
(Optional)

Video



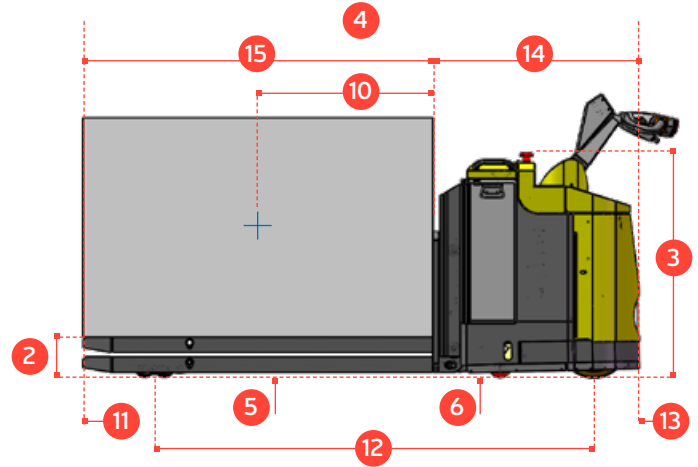
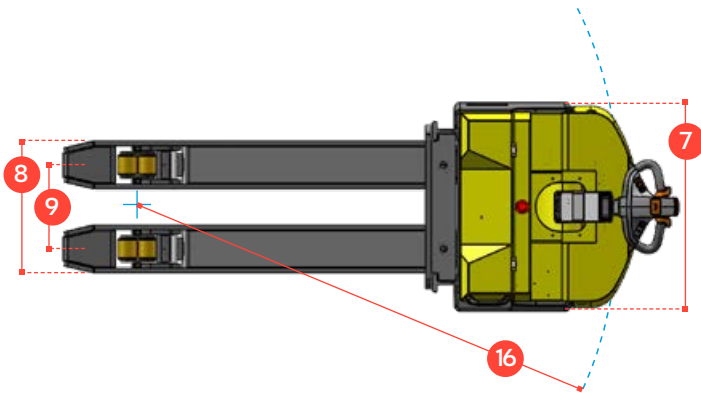
Patented Multi-Position  
Tiller Arm



# COMBi-PPT

## Powered Pallet Truck

With a load capacity of 11,000 lbs @ 27" the Powered Pallet Truck (Combi-PPT) can work in the smallest operating aisles.



REF.	DESCRIPTION	STANDARD	OPTION
1	Max. Lift Height		3¾"
2	Lowered Height		3½"
3	Overall Height		42½"
4	Overall Length	93"	100"
5	Ground Clearance Under Fork		¾"
6	Ground Clearance to Centre of Wheelbase		¾"
7	Width		36"
8	Outside Spread of Fork Arms		23" / 49"
9	Track Front		14½" / 41½"
10	Load Centre Distance		27"
11	Overhang Front		13"
12	Wheelbase	71"	78½"
13	Overhang Back		8½"
14	Length From Face of Fork		37½"
15	Platform Length	55"	63"
16	Minimum Outside Radius	79"	86½"
A	Capacity		11,000 lbs
B	Maximum Ground Speed		3½ mph
C	Gradeability		5%
D	Battery Capacity		24 V / 330 Ah
E	Fork Section		2¾" x 8¼"
F	Front Tyre (Polyurethane)		OD 3¼" / Width 3¾"
G	Rear Tyre (Vulkollan)		OD 12¼" / Width 5"
H	Standard Colour		Yellow & Grey
I	AC Electric Traction Motor		24 V / 5½ HP
J	AC Electric Pump Motor		24 V / 6½ HP

### Superior safety with Combilift's patented Multi-Position Tiller Arm

The tiller can be turned to the left or right to allow the operator to remain at the side. This enables full visibility of the load and forks, while maintaining full steering control, providing greater awareness of the surroundings for enhanced overall safety.

#### Features Include:

- Power Steering
- AC Motor Technology
- Rear Wheel Drive
- Patented Multi-Position Tiller Arm

#### Distributed by:



TotalTruck A/S

CVR-nr. DK 26 12 66 22

Lucernetofte 5 · 5550 Langeskov Tlf. +45 70 27 99 88

#### Without Combi-PPT



#### Using Combi-PPT



Standing to the side of the truck eliminates the risk of being trapped or crushed while allowing the Combi - PPT to operate in very narrow aisles.