

COMBi-*HC-PPT*

6,600-13,000lbs

HIGH CAPACITY
POWERED PALLET TRUCK

COMBiLIFT

LIFTING INNOVATION

Equipped with our patented multi-position tiller arm the Combi-*HC-PPT* offers safer operation, maximum operator visibility and narrow aisle performance.



- *Patented Multi-Position Tiller Arm*
- *Ride on platform (optional extra)*
- *14,000-32,000lbs available on request*
- *Fully customizable*

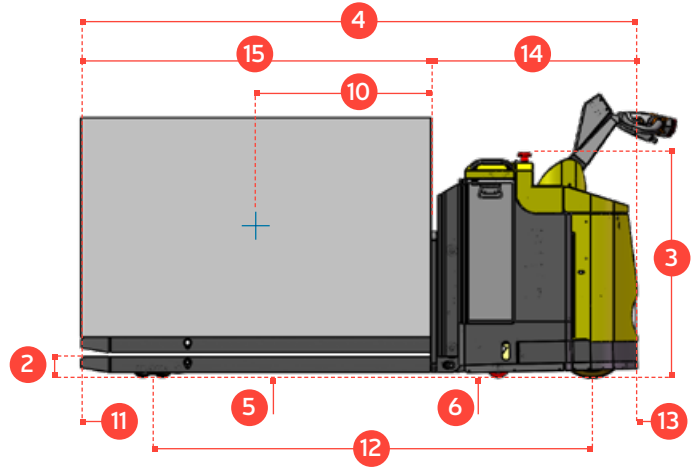
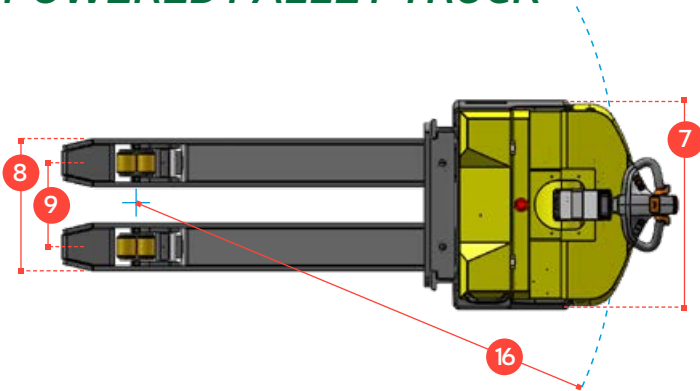
Video



COMBi-HC-PPT 6,600-13,000lbs

HIGH CAPACITY POWERED PALLET TRUCK

With a load capacity ranging from 6,600lbs to 32,000lbs the Combi-HC-PPT can work in the smallest operating aisles.



REF.	DESCRIPTION	STANDARD	OPTION
1	Max. Lift Height		3¾"
2	Lowered Height		3½"
3	Overall Height		41"
4	Overall Length	93"	100"
5	Ground Clearance Under Fork		¾"
6	Ground Clearance to Centre of Wheelbase		¾"
7	Width		36"
8	Outside Spread of Fork Arms		23"
9	Track Front		14½"
10	Load Centre Distance		24"
11	Overhang Front		13"
12	Wheelbase	73"	81"
13	Overhang Back		8½"
14	Length From Face of Fork		37½"
15	Fork Length	55"	63"
16	Minimum Outside Radius	79"	86½"
A	Capacity	6,600 lbs	13,000 lbs
B	Maximum Ground Speed		3½ mph
C	Gradeability		5%
D	Battery Capacity		24 V / 330 Ah
E	Fork Section		2¾" x 8¼"
F	Front Tyre (Polyurethane)		OD 3¼" / Width 3¾"
G	Rear Tyre (Vulkollan)		OD 12¼" / Width 5"
H	Standard Colour		Yellow & Grey
I	AC Electric Traction Motor		24 V / 5½ HP
J	AC Electric Pump Motor		24 V / 6½ HP

Superior safety with Combilift's Patented Multi-Position Tiller Arm

The tiller can be turned to the left or right to allow the operator to remain at the side. This enables full visibility of the load and forks, while maintaining full steering control, providing greater awareness of the surroundings for enhanced overall safety.

Features Include:

- Power Steering
- AC Motor Technology
- Rear Wheel Drive
- Patented Multi-Position Tiller Arm
- Fully Customizable

Distributed by:



TotalTruck A/S

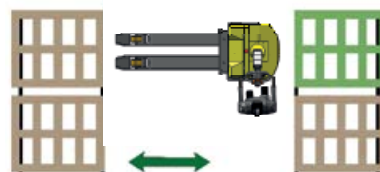
CVR-nr. DK 26 12 66 22

Lucernetofen 5 · 5550 Langeskov Tlf.
+45 70 27 99 88

Without Combilift patented tiller arm



Using Combi-PPT patented tiller arm



Standing to the side of the truck eliminates the risk of being trapped or crushed while allowing the Combi - PPT to operate in very narrow aisles.

COMBILIFT HAS A POLICY OF CONTINUOUS PRODUCT DEVELOPMENT AND RESERVES THE RIGHT TO ALTER SPECIFICATIONS WITHOUT PRIOR NOTICE. SPECIFICATIONS AND/OR DIMENSIONS MAY VARY FROM THOSE ILLUSTRATED IN SOME COUNTRIES.