

C-SERIES C20,000-C25,000

The multi-directional forklift designed to handle heavy, long and awkward loads.

COMBiLiFT

LIFTING INNOVATION



C-serie præsentation



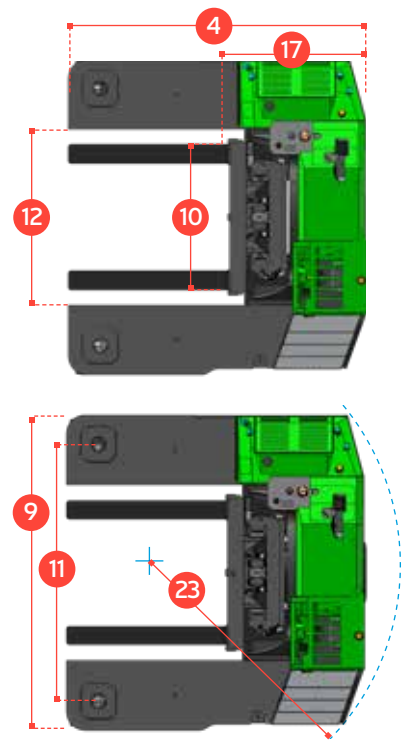
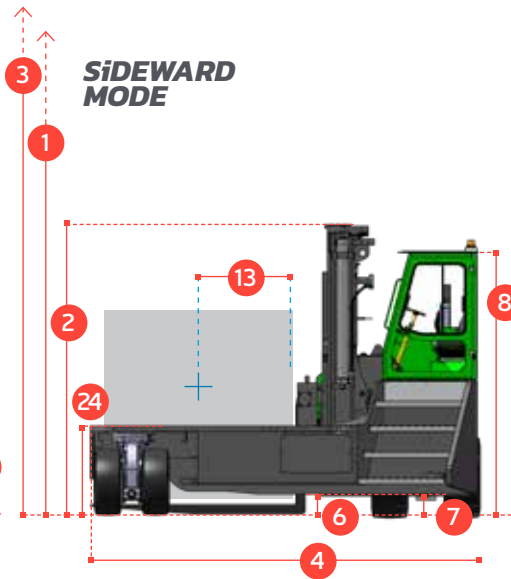
C-SERIES

C20,000-C25,000

FRONTAL MODE



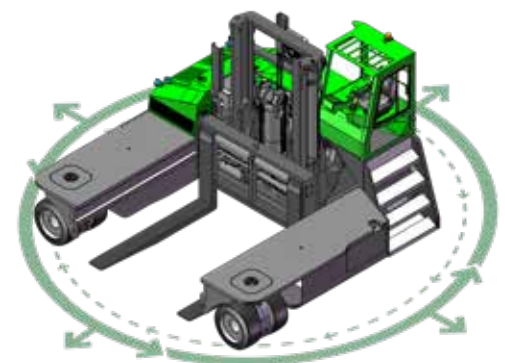
SIDeward MODE



| REF. | DESCRIPTION | C20,000 | C25,000 |
|------|---|---------|---------|
| 1a | Max. Lift Height | 4120mm | |
| 1b | Freelift Height | 0mm | |
| 2 | Height Mast Closed | 4140mm | |
| 3 | Max. (Mast raised) | 6230mm | |
| 4 | Overall Length | 4700mm | 4900mm |
| 5 | Mast Travel | 2500mm | 2700mm |
| 6 | Ground Clearance Under Mast | 460mm | |
| 7 | Ground Clearance to Centre of Wheelbase | 250mm | |
| 8 | Height Over Cab (Without work lights) | 3310mm | |
| 9 | Width | 5200mm | |
| 10 | Outside Spread of Fork Arms | 2400mm | |
| 11 | Track Front | 4240mm | |
| 12 | Frame Opening | 2900mm | |
| 13 | Load Centre Distance | 1200mm | |
| 14 | Overhang Front | 525mm | |
| 15 | Wheelbase | 3525mm | 3725mm |
| 16 | Overhang Back | 650mm | |
| 17 | Length From Face of Fork | 2300mm | |
| 18 | Approach Angle | 45° | |
| 19 | Ramp Angle | 17° | |
| 20 | Departure Angle | 45° | |
| 21 | Forward Tilt | 4° | |
| 22 | Backward Tilt | 8° | |
| 23 | Minimum Outside Radius | 4640mm | 4840mm |
| 24 | Platform Height | 1150mm | |
| 25 | Platform Length | 2400mm | 2600mm |

| | | | |
|---|---|-------------------------|-----------|
| A | Capacity | 20,000 kg | 25,000 kg |
| B | Unladen Weight | 38,000 kg | 39,000 kg |
| C | Maximum Ground Speed | 19 km/h | |
| D | Gradeability | 10% | |
| E | John Deere Diesel Engine 6068HF485 | 168 kW (225 HP) | |
| F | Electrics | 12 Volt | |
| G | Fork Section 120mm x 300mm x | 2400mm | 2600mm |
| H | 465 / 55 - 20 Rear Tyre (Super Elastic) x2 | OD 1016mm / Width 457mm | |
| I | 840 / 350 - 559 Front Tyre (Super Elastic) x2 | OD 840mm / Width 350mm | |
| J | Standard Colour | Green & Grey | |
| K | Suspension Seat | KAB Model 116 | |

Multi-Directional



Features Include:

- Hydraulic Mounted Cabin
- Multi-Directional Operation
- 4 Wheel Hydrostatic Drive
- +/- 150mm Integrated Side-shift
- 4 Way Lever Positioning of Wheels
- Load Sensing Steering
- Hydraulic Oil Cooler

Distributed by:



TotalTruck A/S

CVR-nr. DK 26 12 66 22

Lucernetofte 5 · 5550 Langeskov
Tlf. +45 70 27 99 88